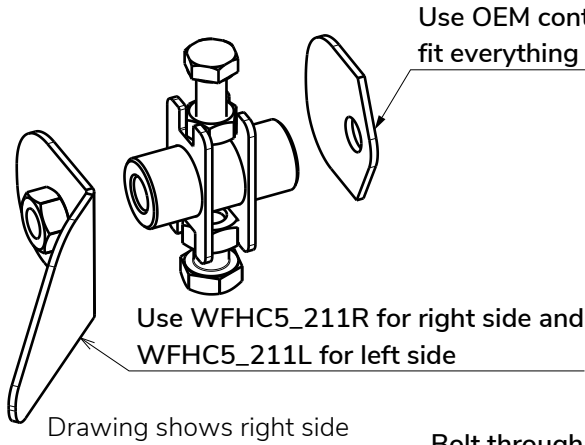


Honda Civic EP3 Rally Front Lower Control Arm Kit

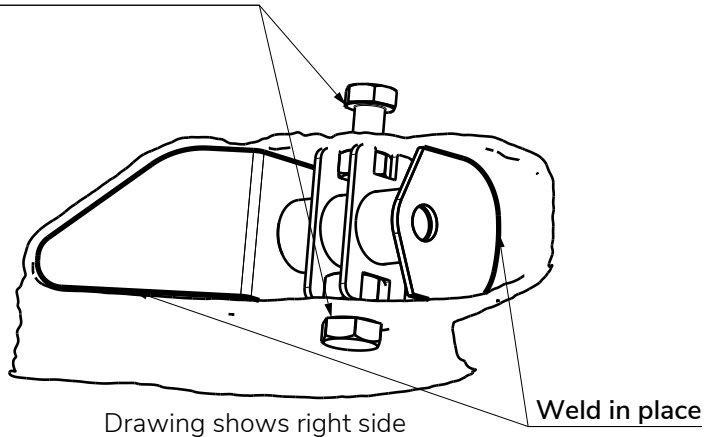
Front lower control arm subframe modification



1. Remove the OEM lower control arm
2. Prepare the subframe lower control arm front mount for welding
3. Use OEM control arm bolt to fit the jig and two plates together
4. Remove the two bolts from the jig

5. Fit the assembled part to the subframe and put the two bolts through OEM subframe holes
6. Weld the two plates to the subframe
7. Remove the jig
8. Use some sort of rust protection on the welded area.
9. Install the lower control arm

Bolt through OEM subframe holes



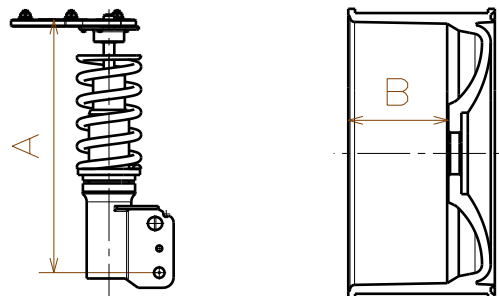
Left and right side installation is the same

IMPORTANT!

If the kit is installed check the clearance between car body, suspension components and the wheel with tire in all extent of the suspension travel. For that the spring needs to be removed. If there is clearance issues then change your wheel alligment or limit the suspension travel.

Specs

- Camber: no change with OEM
- Caster: no change with OEM
- Front track: same as the OEM
- Strut lenght (A) max: 600 mm
min: 300 mm
- Strut length max and min length may not be achieved with some lower control arm ball joints or outer tie rods
- Wheel backspace (B): same as the OEM



If you still have some trouble installing the kit, contact us at sales@wisefab.com, or call us +372 5562 5669