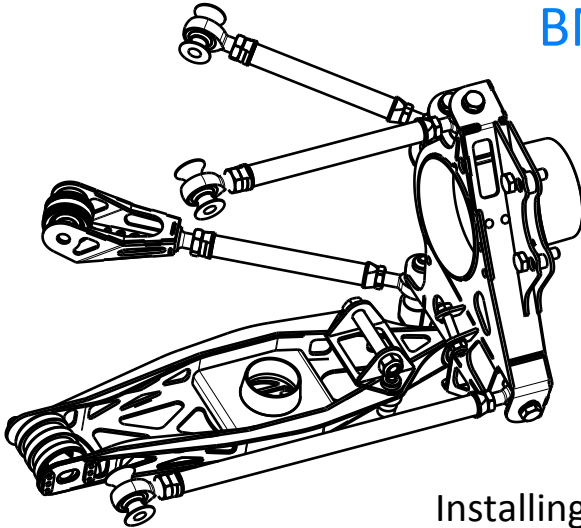


BMW e9x Rear

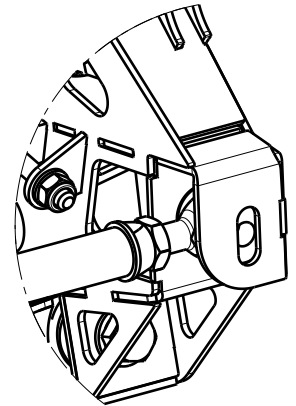
Overall view of assembled components in the right corner

All lengths are pre set by Wisefab.
No need to adjust before alignment.



Installing the toe arm

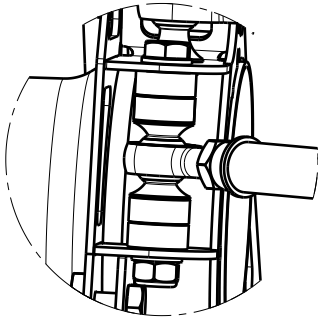
Holes are oval for adjusting bumpsteer.
If bumpsteer is not measured leave the arm at the middle.



Installing the upper forward link

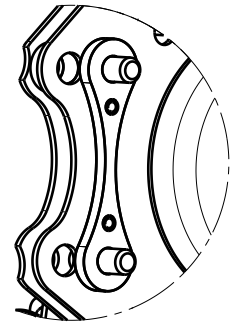
BMW e9X rear kit has a built in anti-squat adjustment.
Moving the arm upwards, gives you less anti-squat.
Moving it down, gives you more.

Less anti-squat - better over bumps on throttle
More anti-squat - better launches, need more power to spin the tires



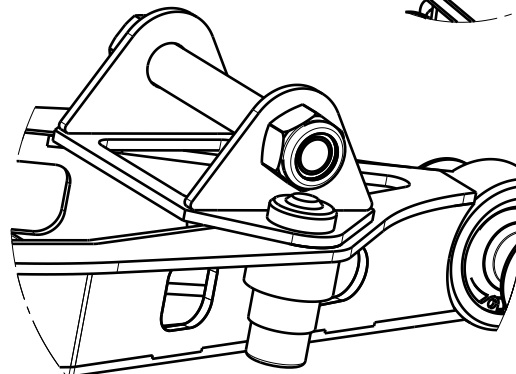
Installing the brakes

Wisefab e9x rear knuckle has a compatibility for two brake sizes.
Big brake setup and M brake setup. For the big brake setup use the inside holes and spacer plate installed to the upright and for the M brake setup remove the spacer plate and use the outer holes.



Installing the shocks.

This bracket is needed for M models. Non M models should use OEM shock mount



Recommended alignment specs

Camber: -0,5deg
Toe: 3-10mm toe in/per side



If you still have some trouble installing the kit, contact us at sales@wisefab.com, or call us +372 5562 5669