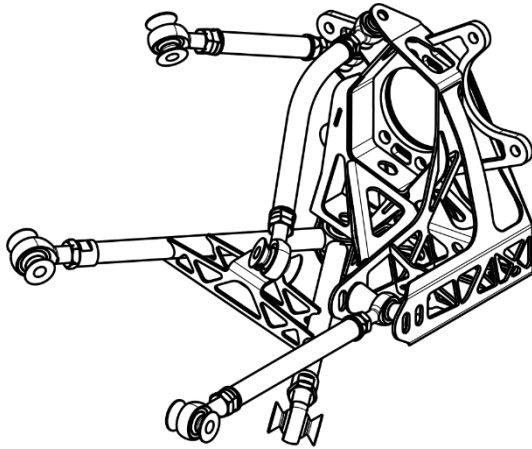


Nissan S-Chassis installation guide

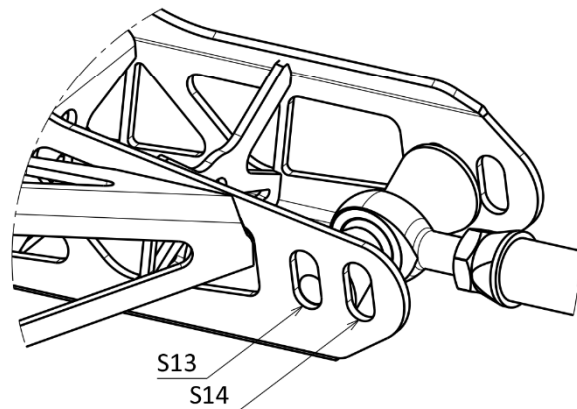


Overall view of assembled components in the right corner

All lengths are pre set by Wisefab.
No need to adjust before alignment.

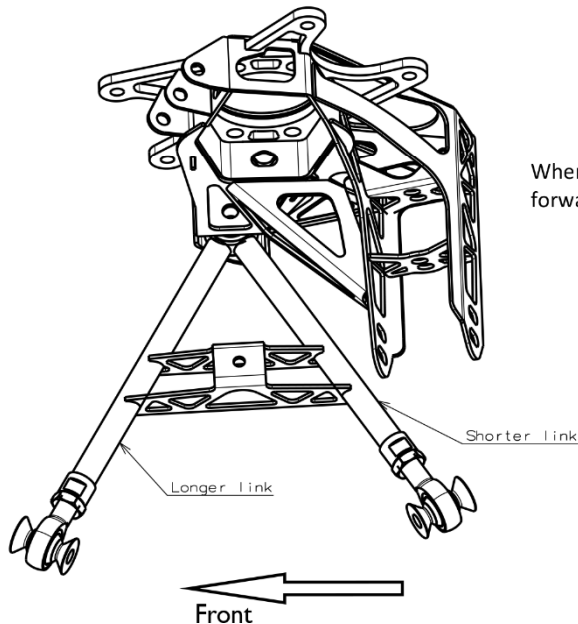
Installing the toe arm

Holes are oval for adjusting bumpsteer.
If bumpsteer is not measured leave the arm at the middle.



Installing the lower A arms.

When installing the lower A arms, make sure that the longer link is facing forward and ARB mounting point is upwards



Recommended alignment specs

Camber: -0,5deg
Toe: 3-10mm toe in/per side



If you still have some trouble installing the kit, contact us at sales@wisefab.com, or call us +372 5562 5669