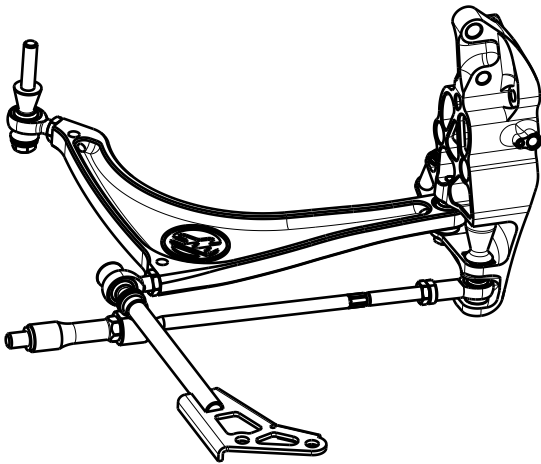


Toyota GT86 Front Lock kit

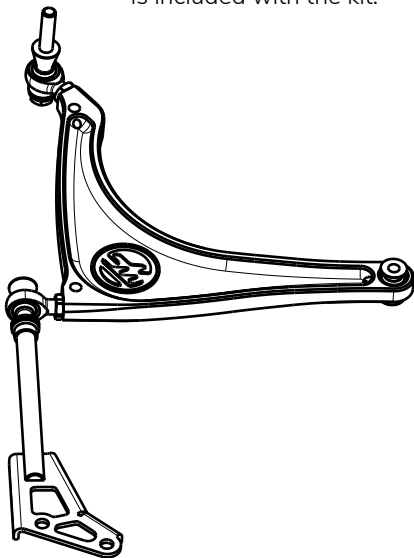


Overall view of assembled components in the right corner

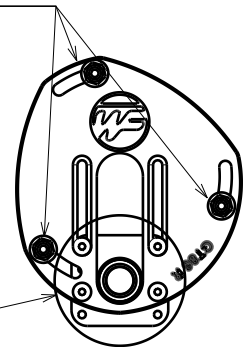
All lengths are pre set by Wisefab.
No need to adjust before alignment.

Installing the camber plate

Camber plate is pre set, coilover pick up point should be at the most outside and forward when installing the camber plate. When installing coilovers to camber plate use coilover manufacturer nuts and spacers. Template for drilling the hole for coilover adjustment is included with the kit.



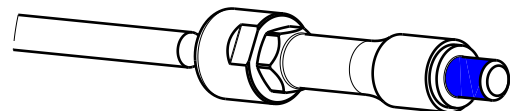
Maximum tightening torque 50Nm



We have set the optimum position for the best performance

Installing the lower front arm

Mount arms with stock bolts, we recommend using new ones. Our subframe support will replace the OEM one and one end will bolt to the control arm pick up point replacing the nut. The other end will bolt to stock location.



Installing the tierods

When installing tierods apply tread lock. Rack spacers are different. The passenger side one is longer than drivers side one.

Recommended alignment specs

Caster: 5,5

Camber: -6deg

Toe: If ackerman is 0 or negative then toe is 2 mm out.

If ackerman is positive then toe is 0



If you still have some trouble installing the kit, contact us at sales@wisefab.com, or call us +372 5562 5669