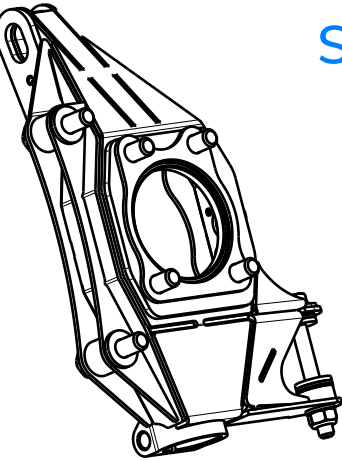


Subaru Impreza Front Drop Knuckles

Installing the knuckle

Wisefab Subaru Drop Knuckles are designed to use OE bolts and hardware. For other cases the correct bolts are included in the kit.

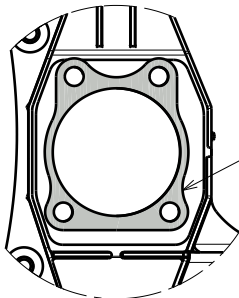
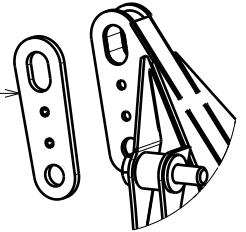
Selection of models



The knuckles are designed for a wide range of Subaru models. This kit includes a selection of accessories that suit different Subaru models.

STI

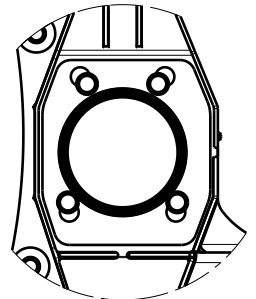
When using STI shocks the shock spacers need to be installed.



When using STI front hubs/bearings (5x114,3) the hub spacers need to be installed.

WRX

When using WRX front hubs/bearings (5x100) the plastic centering rings need to be installed. With WRX bearings the inner bolt holes need to be used.



Wheel speed sensor plates

Below is the sortiment of wheel speed sensor plates. Choose the correct plate when installing wheel speed sensor.

STI 2005 STI hub



STI 2005 WRX hub



STI -2007



STI 2007-



WRX 2007-

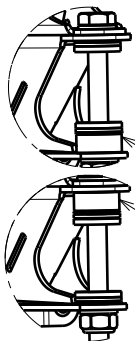


Installing the tierod

Additional bump steer adjustment is done with the rest of the included washers.

*Models until 2007 must place the 10mm bushing to the bottom.

*2007 and newer models must place the 10mm bushing on the top.



**FOR RACING
USE ONLY**



If you still have some trouble installing the kit, contact us at sales@wisefab.com, or call us +372 5562 5669