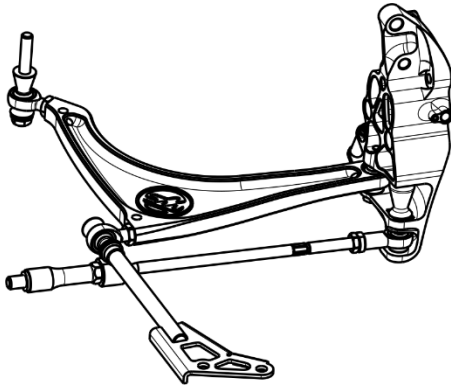


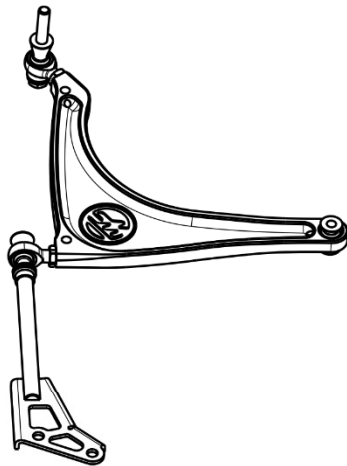
GT86/BRZ/FRS front installation guide



Overall view of assembled components in the right corner

All lengths are pre set by Wisefab.
No need to adjust before alignment.

Camber plate is pre set, coilover pick up point should be at the most outside and forward when installing the camber plate. When installing coilovers to camber plate use coilover manufacture nuts and spacers. Template for drilling the hole for coilover adjustment is included with the kit.



Installing the lower front arm

Mount arms with stock bolts, we recommend using new ones. Our subframe support will replace the OEM one and one end will bolt to the control arm pick up point replacing the nut. The other end will bolt to stock location.

Installing the tierods

When installing tierods apply tread lock. Rack spacers are different. The passenger side one is longer than drivers side one.



Recommended alignment specs

Caster: 5,5

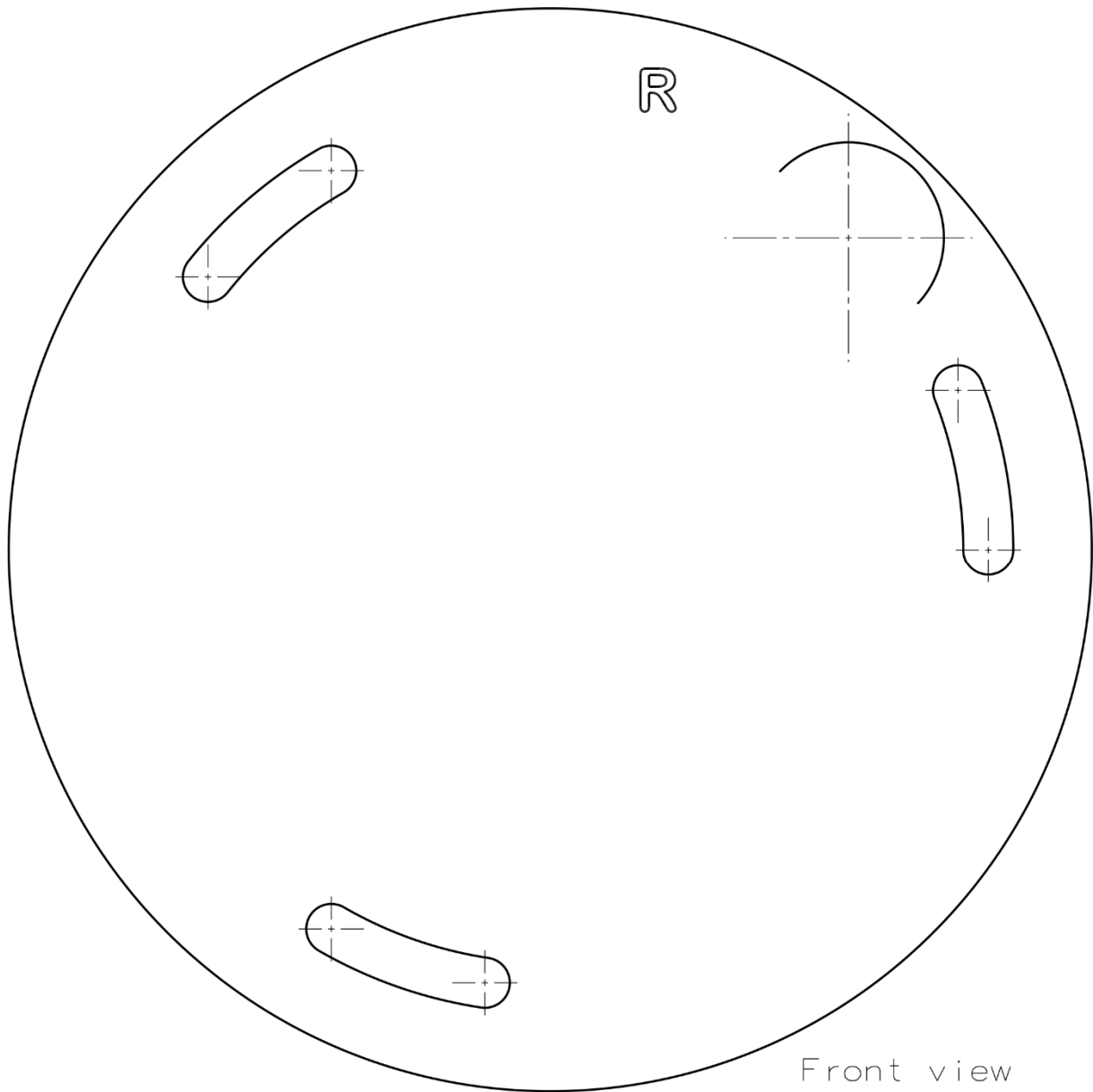
Camber: -6deg

Toe: If ackerman is 0 or negative then toe is 2 mm out.

If ackerman is positive then toe is 0



If you still have some trouble installing the kit, contact us at sales@wisefab.com, or call us +372 5562 5669



Front view
Scale: 1:1



If you still have some trouble installing the kit, contact us at sales@wisefab.com, or call us +372 5562 5669