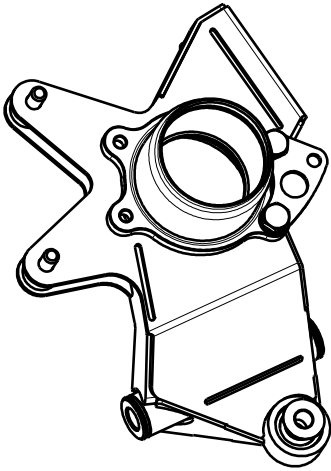


Subaru Impreza Rear Drop Knuckles

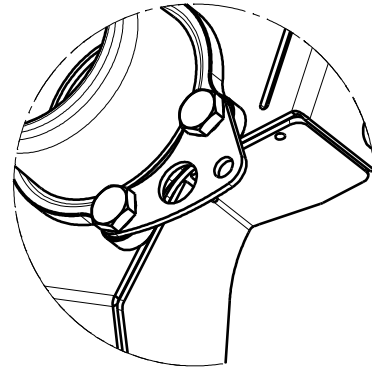


Installing the knuckle

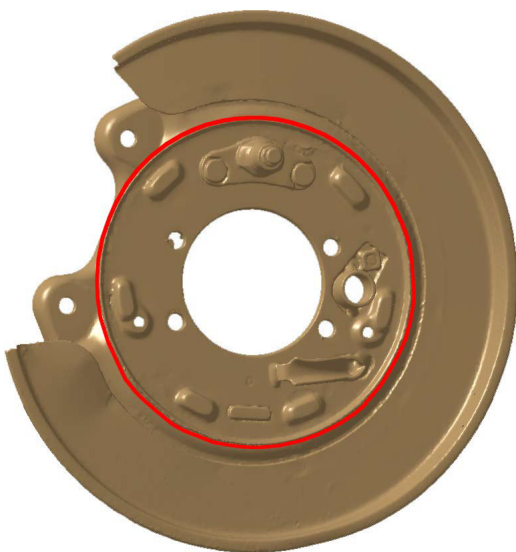
Wisefab Subaru Drop Knuckles are designed to use OE bolts and hardware. For other cases the correct bolts are included in the kit.

Brake back plate

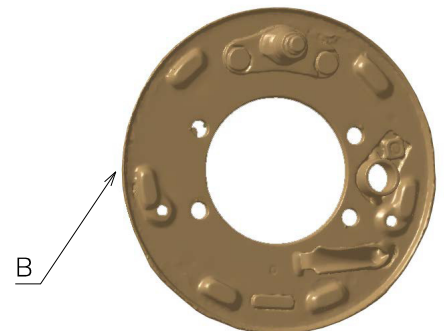
The OE back plate has built in brake caliper mounting points. Wisefab's drop knuckles are designed to mount the calipers directly to the knuckle. Eliminating the need for back plate. Speed sensor(ABS sensor) can be fitted with a mounting bracket (included).



Handbrake can be used by slightly modifying the back plate as shown on the picture below. When using the modified back plate the need for the speed sensor mounting bracket is unnecessary.



Cut the OE back plate as shown on picture A. The end result should look like on picture B



**FOR RACING
USE ONLY**



If you still have some trouble installing the kit, contact us at sales@wisefab.com, or call us +372 5562 5669