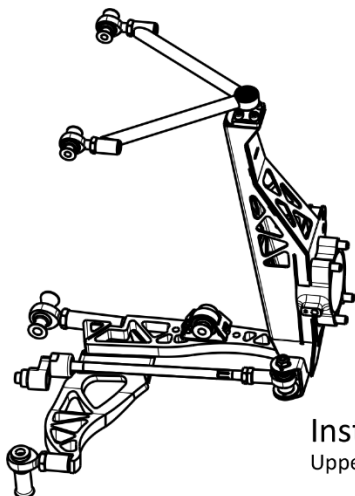
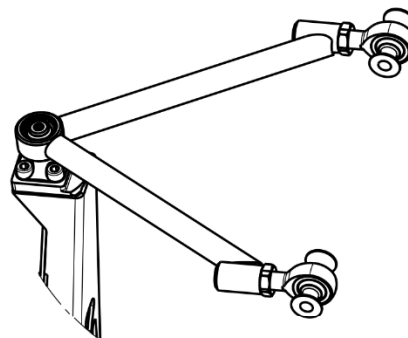


Nissan Z350-Chassis installation guide



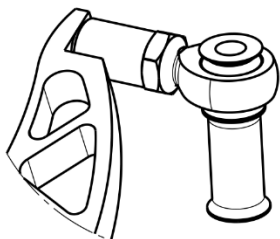
Overall view of assembled components in the right corner

All lengths (exc. tie rod) are pre set by Wisefab. No need to adjust before alignment.



Installing the upper A arms

Upper arms are symmetrical.



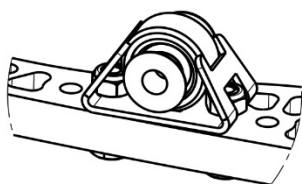
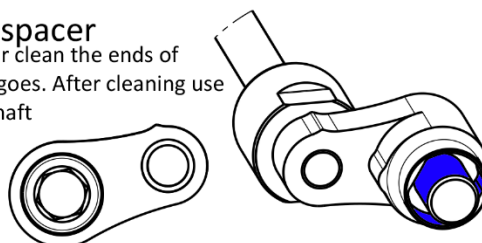
Installing the lower arms.

Use the special bushing on the rear mount when installing the arms
Mount arms with stock bolts, we recommend using new ones.

Installing the rack offset spacer

Before installing the rack offset spacer clean the ends of the steering shaft where the spacers goes. After cleaning use thread lock on the spacer itself and shaft

When installing the rack offset spacer, be sure it faces forward and little bit upwards.



Adjusting suspension stiffness

You can adjust motion ratio (ride/roll stiffness) by changing the coilover mounting point on arm.

Moving it outwards, ride/roll will be stiffer.

Moving it inwards, ride/roll will be softer.

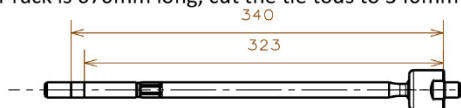
Installing the tie rods

As there are two different racks available, the tie rod lengths are not exact.

Measure your rack.

If your rack is 705mm long, cut the tie rods to 323mm

If your rack is 670mm long, cut the tie rods to 340mm



Recommended alignment specs

Camber: -3,7 +/- 0,3

Caster: 6,3 +/- 0,3

Toe: 0...-2



If you still have some trouble installing the kit, contact us at sales@wisefab.com, or call us +372 5562 5669