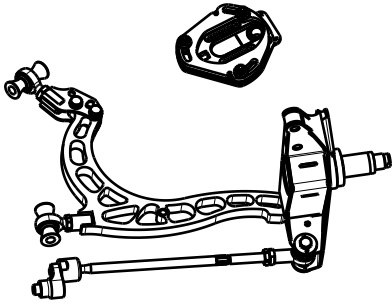


## Nissan S-chassis II



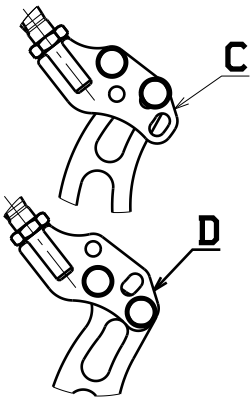
### Overall view of assembled components in the right corner

All lengths ( exc. tie rod )and camber plates are pre set by Wisefab. No need to adjust before alignment

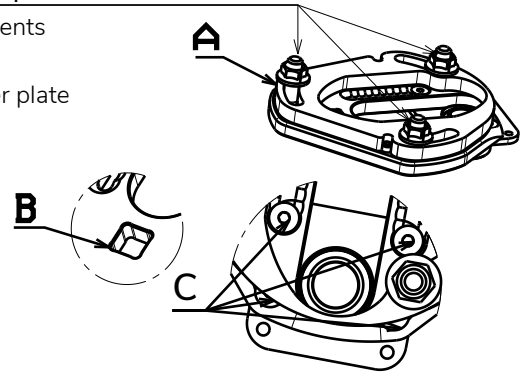
### Installing the camber plates

There are 10mm spacer plates included with the camber plates (Fig. A). This prevents the amount of modifications neede for the strut tower.  
Camber plate has a caster adjustment built in. There is a 1/2" socket in the camber plate for more convenient adjusting by rotating the camber plate (Fig. B).

We have set the optimum position for the best performance. (Fig. C).



Maximum tightening torque 50Nm



### Installing the lower control arm

The version II lower control arm is multiverse, you can use the same arm on differrent S-chassis. It is just a matter of setting it up.

\*For S13 bolt the relocatable rodend as shown on Fig. C

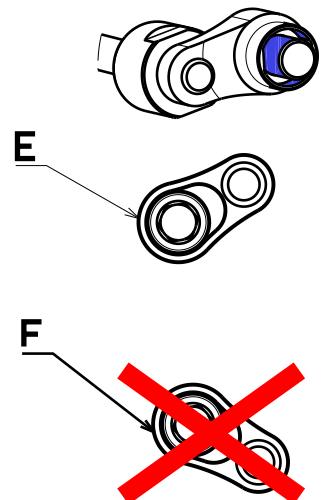
\*For S14 and S15 bolt the relocatable rodend as shown on Fig. D

Rodend lenght remains the same. You can adjust caster by changing the pre set lenght of this relocatable rodend. Loosen the two 10mm bolts when adjusting caster this way.

### Installing the rack offset spacer

Before installing the rack offset spacer clean the ends of the rack shaft where the spacer goes. After cleaning use thread lock on the spacer itself and and on the bolt.  
When installing the spacer make sure it points forward and a bit upwards (Fig. E).

There is a chance of 1/100 that you might have an unique rack where one of the rack spacer will point downwards (Fig. F). In that case contact our sales department and we will send you a replacement rack offset spacer.



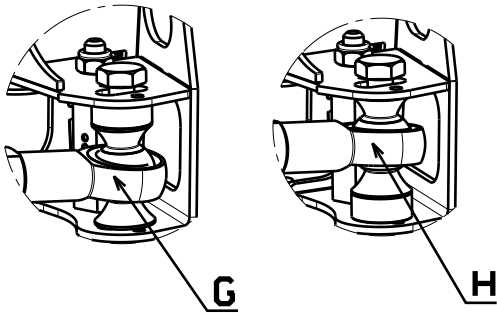
### Installing the knuckle

Install the hub to the knuckle. We recommend using new hubs. When using this kit on S13 chassis, the coilover mounting bolts are 12mm. Kit includes 4 tubes that convert the knuckle holes from 14mm to 12mm.



If you still have some trouble installing the kit, contact us at [sales@wisefab.com](mailto:sales@wisefab.com), or call us +372 5562 5669

## Nissan S-chassis II



### Installing the tierod

There is two setups for insatlling the tierod.

\*Lower setup (Fig. G) is when installing the kit with rack relocation kit.

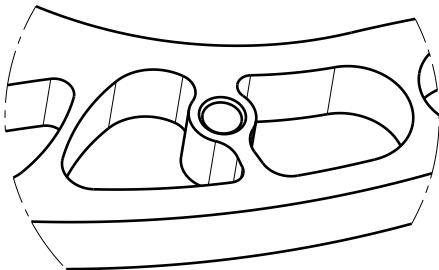
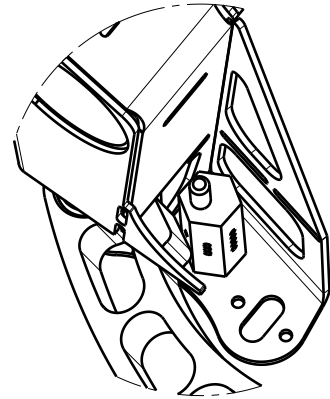
\*Upper setup (Fig. H) is when istalling the kit with rack offset spacers.

### Adjusting the lock stopper

Wisefab lock kits are equipped with hexagonal lock stoppers, where each side has a different offset.

The more dimples, the more offset and by that less usable lock.

When adjusting car should be on the ground. Desired hexagon face should be in full contact with the lower control arm in full lock.



### The Anti rollbar mount

The version II lower control arm has an anti-roll bar mount on the arm. Kit is designed to work without the anti-roll bar. When using OEM anti-roll bar, it would limit the usable lock.

### Recommended alignment specs

Camber:  $-4 \pm 0,5$

Caster:  $3,5 \pm 0,5$

Toe: if Ackermann is 0 or negative then toe is 2mm out,

if Ackermann is positive then toe is 0

**FOR RACING  
USE ONLY**



If you still have some trouble installing the kit, contact us at [sales@wisefab.com](mailto:sales@wisefab.com), or call us **+372 5562 5669**