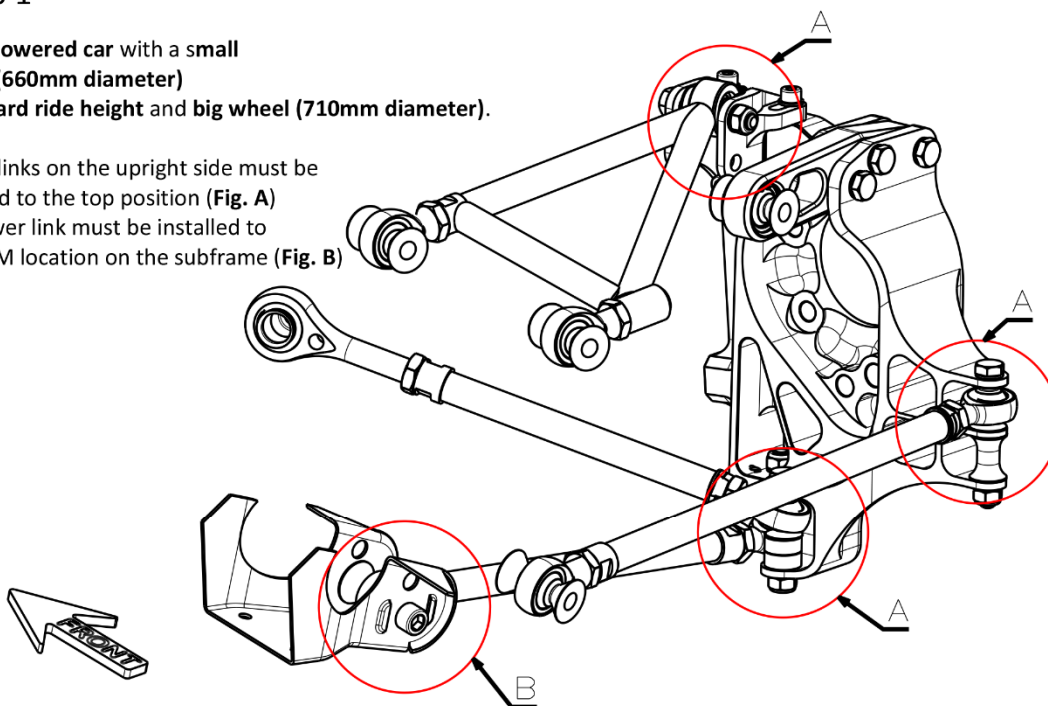


Nissan GT-R rear installation guide

Setup 1

- *For a **lowered car with a small wheel (660mm diameter)**
- ***standard ride height and big wheel (710mm diameter).**

All the links on the upright side must be installed to the top position (**Fig. A**)
 The lower link must be installed to the OEM location on the subframe (**Fig. B**)

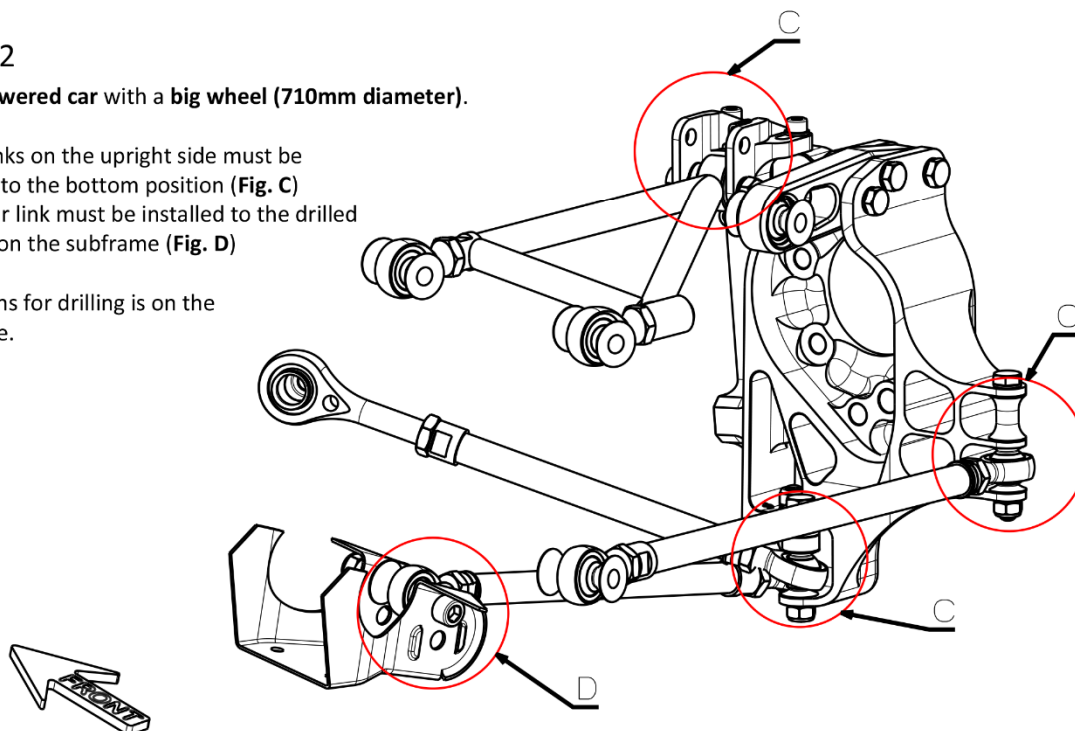


Setup 2

- *For a **lowered car with a big wheel (710mm diameter).**

All the links on the upright side must be installed to the bottom position (**Fig. C**)
 The lower link must be installed to the drilled location on the subframe (**Fig. D**)

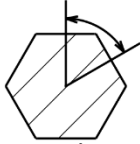
Instructions for drilling is on the next page.



If you still have some trouble installing the kit, contact us at sales@wisefab.com, or call us +372 5562 5669

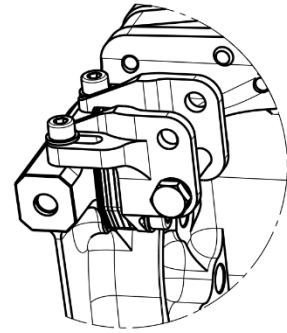
Camber adjustment

Wisefab upright has a built in camber adjustment. Adding or removing 5mm of cambershim will change 1° camber. Adjustable range is 16mm. When adjusting camber toelink correction is needed. Look at the chart below. 1 flat of toelink adjustment equals 1/6 turn.



1flat = 1/6turn

Adjusting the toelink



Shim adjustment	Influence	Toelink correction		Toelink sensitivity
		Toelink adjustment per side to keep the same toe	Direction	
Cambershim change	Camber change			
1mm	0,2°	0,8 flats	more neg camber = shorter toelink	7.5 flats = 1° of toe change 1 flat = 0,13° of toe change
2mm	0,4°	1,6 flats		
3mm	0,6°	2,4 flats		



Traction link

How to install the traction link to the chassis

Chassis side

Drilling the hole in the subframe pick-up point

Tools needed

Drill
12mm drillpit

Step 1: install the template

Install the metal template as show on the picture. Drill trough only the one side of the bracket using a 12mm drillpit

Step 2: install the guide bush

Install the guide bush and align the top hole before tightening the bolt. Drill through the guide bush to make the second hole.

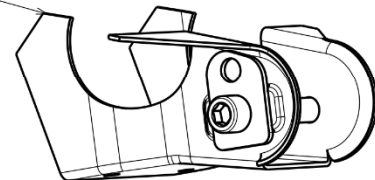
Step 3: install the arm

Use the provided bushing to install the arm.

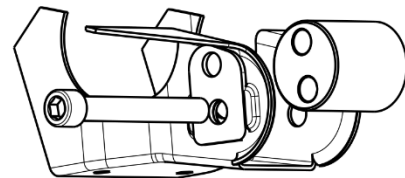
Repeat the protsesses on the other side

This pick-up point is the most lower pick-up point of the subframe

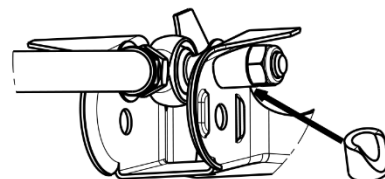
Step 1



Step 2



Step 3



If you still have some trouble installing the kit, contact us at sales@wisefab.com, or call us +372 5562 5669