

# BMW E36/E46 Narrow Front lock kit

## Overview of the kit

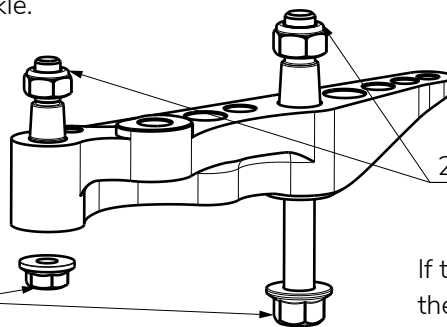


Inner tie rod is supplied with the kit. There is **no** Camber plate included

## Knuckle add-on

Make sure that the knuckle and knuckle add-on mating surfaces are clean and flat. The knuckle add-on surface must be in full contact with the knuckle.

1. Fit the knuckle add-on to the knuckle loosely



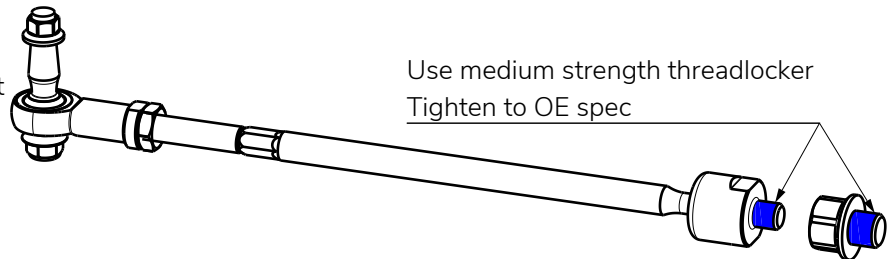
2. Fully tighten the top nuts first.

3. Then tighten the lower nuts

If the top nuts are not tightened first, the knuckle add-on may come loose

## Tie rod

Tie rod has to be cut to length. It is advised to cut off 25 mm, but the exact measure depends of the setup used. Measure the length on the car before cutting.



Use medium strength threadlocker  
Tighten to OE spec

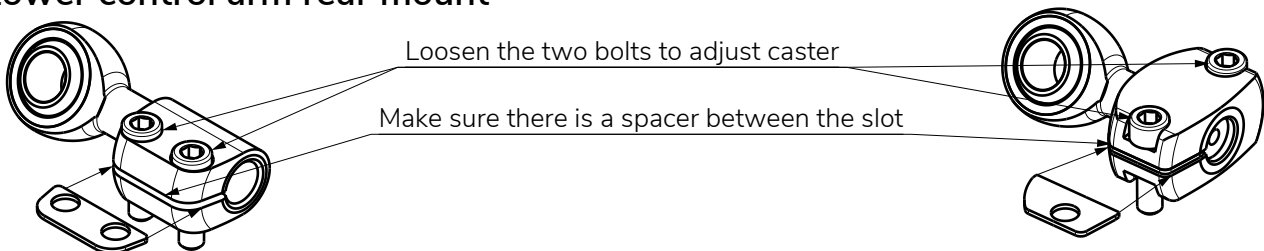
## Camber plate

Use OE top mount or if coilovers are used then the camber plate supplied by it. This kit does not include camber plates.

## Lower control arm

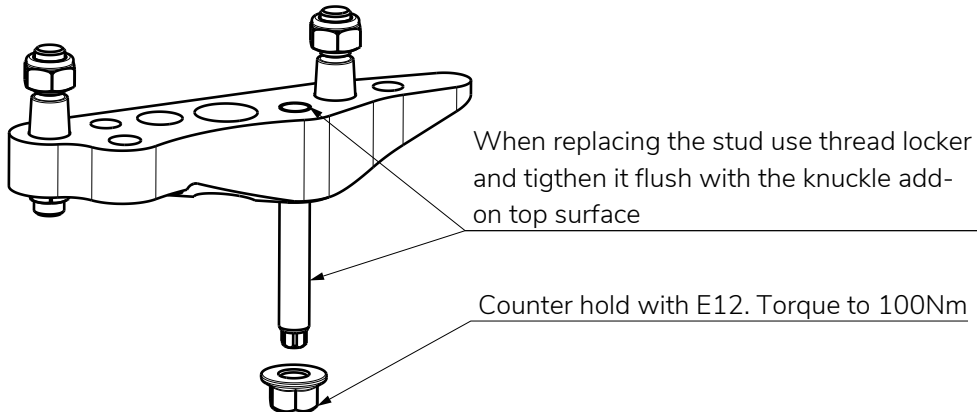
Install the Wisefab lower control arm in the same fashion as the OE one. Use small amounts of medium strength thread locker on all of the lower control arm fasteners.

## Lower control arm rear mount



If you still have some trouble installing the kit, contact us at [sales@wisefab.com](mailto:sales@wisefab.com), or call us +372 5562 5669

### Lower control arm stud replacment - only E30 and E46

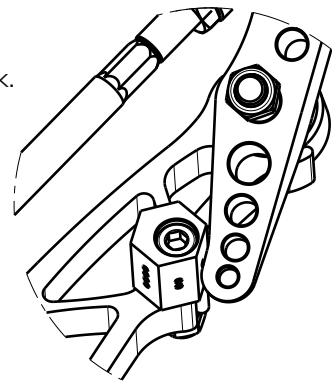


### Lock stopper adjustment

BMW E36 and E46 Wisefab kit are equipped with hexagonal lock stoppers, where each side has a different offset. The more dimples, the less steering lock. When installing make sure that tie rod is not binding in any way.

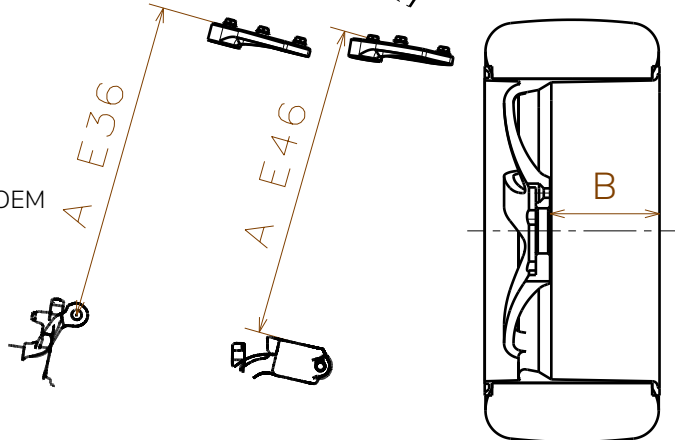
### IMPORTANT!

If the lock stopper is set check the clearance between car body, suspension components and the wheel with tire in all extent of the suspension travel. If there is clearance issues then limit the steering lock more or change your wheel alligment. After the first shake down check that all the nuts and bolts are tight



### Recommended alignment specs

- Camber: E36 -6°; E46 -4°
  - Caster: E36 5.5°; E46 6°
  - Toe: toe out 2 mm
  - Front track: E36 65 mm; E46 35 mm wider per side then OEM
  - Strut lenght (A) max: E36 500 mm; E46 510 mm
  - min: E36 340 mm; E46 310 mm
  - Wheel backspace (B) max 19": 145 mm
  - 18": 145 mm
  - 17": 140 mm
- Most 15" wheels will not fit



If you still have some trouble installing the kit, contact us at [sales@wisefab.com](mailto:sales@wisefab.com), or call us +372 5562 5669