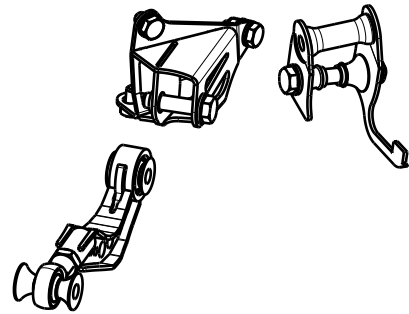
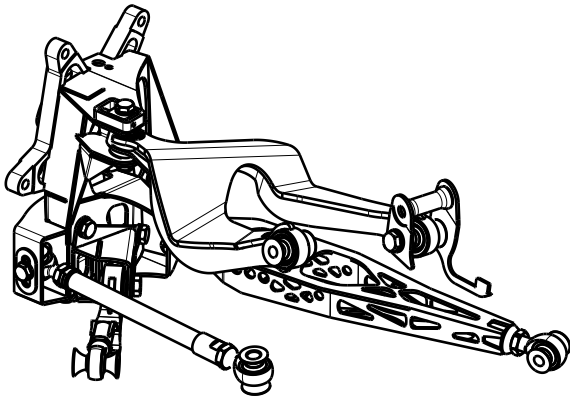


Toyota GT86 Rear MOD kit

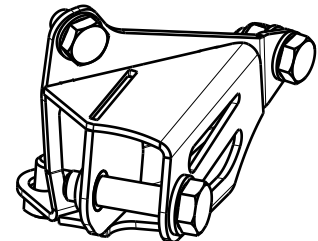
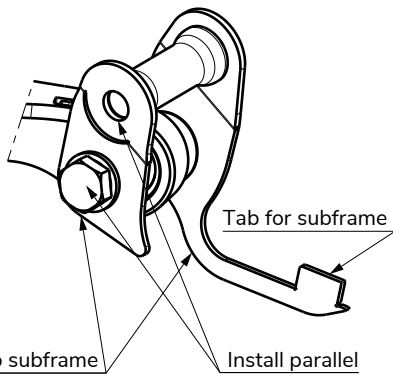


Overall view of assembled components in the right corner

With Wisefab WF8611_MOD kit you can add some extra grip and performance to your rear suspension. This is done by moving the upper A arm mounting point in the subframe and mounting a shorter version of the #4 arm. Kit includes both subframe brackets, both knuckle Add-On's and two shorter control arms.

Installing the subframe bracket

WF8611_MOD lowers the upper control arm. Kit includes two new spacers for the upper control arm rear body mount. Install the provided brackets to the inside of the subframe OEM upper A arm mount. Bracket has a tab that will fit into the subframe to ensure right orientation before welding. Tab will go in to an existing hole in the subframe. When welding - weld all around, use upper a arm and provided bush to align both locating holes parallel to each other.



Installing the knuckle Add-On

WF8611_MOD uses a shorter lower arm for better performance. Install the Add-On to knuckle with provided bolts. Make sure to install all the provided bolts before tightening everything.

IMPORTANT!

Never use the upper control arm lower mounting position **without** the short #4 arm. Short #4 arm can be used without moving the upper control arm to the lower position to medium grip setup

Recommended Alignment Specs

- Camber: 0,5±0.5°
- Toe: 3-10 mm toe in/per side
- Wheel Size: Some 17" wheels might not fit
- Coilover length: max - 400mm
min - 300mm

IMPORTANT!

If the kit is installed check the clearance between car body, suspension components and the wheel with tire in all extent of the suspension travel. For that the spring needs to be removed. If there is clearance issues then change your wheel alligment or limit the suspension travel.



If you still have some trouble installing the kit, contact us at sales@wisefab.com, or call us +372 5562 5669